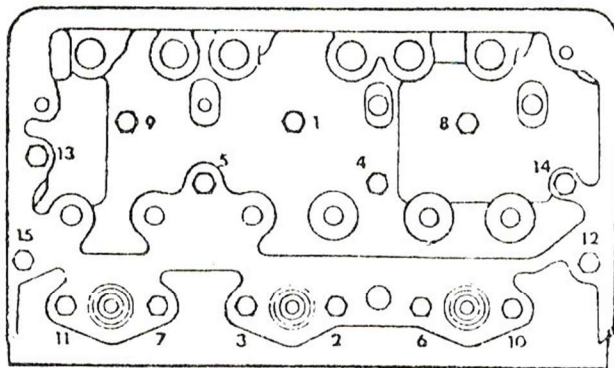
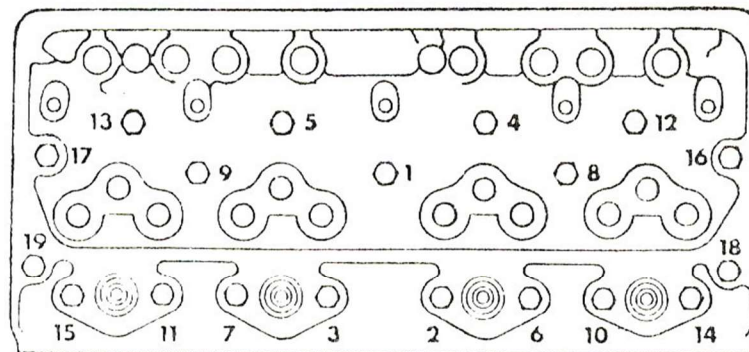


# The order of tightening the bolts of the cylinder heads of M and DM engines



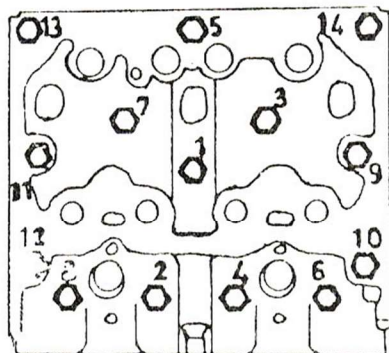
SI. 1

M 33

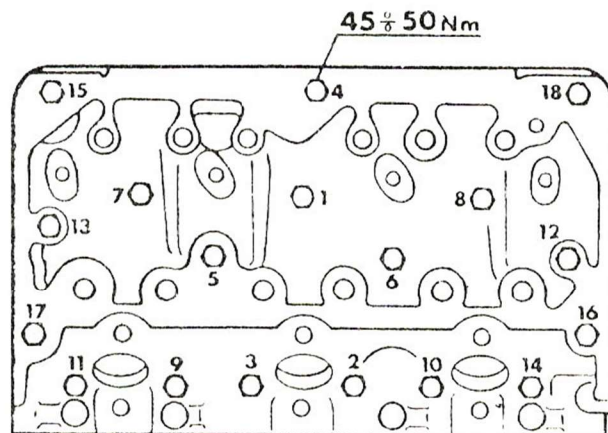


SI. 2

M 34

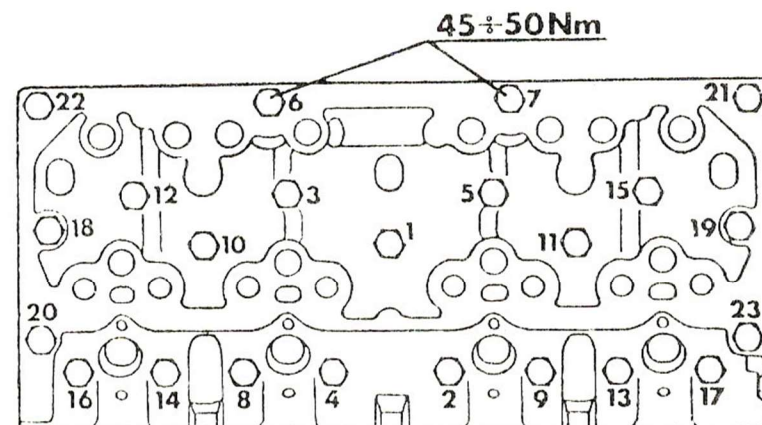


DM 32



SI. 3

DM 33



SI. 4

DM 34

	Dimensions	Tightening Torques (ft-lb)
Cylinder head nuts and bolts	7/16" x 20	55.3 - 59.0
Connecting rod nuts w/cotter pins	M11 x 1.25	55.3 - 59.0
Connecting rod nuts w/o cotter pins	M11 x 1.25	40.6 - 44.2
Crankshaft bearing cap bolts	M14	114.3 - 118.0
Flywheel bolts	M12 x 1.5	77.5 - 81.1
Crankshaft pulley bolt	M22	103.3 - 110.6
Injector nuts	M8	11.1 - 14.7
Water pump pulley bolt	M12 x 1.5	51.7 - 55.3
Distribution intermediate gear bolts	M10	25.9 - 29.5
Combustion chamber cover nuts	M10	25.9 - 29.5

\*Parts should be slightly oiled before installation